



Quote Request

Please copy, fill out and fax to 973-276-5050. Retain this original for future use.

WAREHOUSE AND MILL PRODUCTS

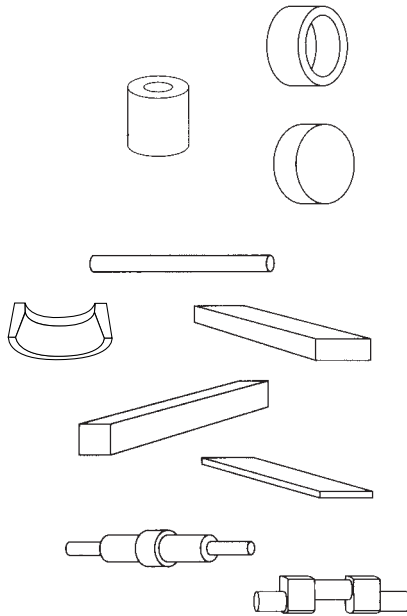
GRADE _____ SPECIFICATION _____

SIZE _____

QUANTITY _____ DELIVERY REQUIREMENT _____

SHEET STRIP PLATE ROUND SQUARE FLATS HEX TUBING PIPE WIRE

FORGINGS



	FINISHED SIZES		
	Outside Diameter	Inside Diameter	Thickness/Face Length
RING			
SLEEVE			
DISC			
ROUND BAR	Diameter _____ Length _____		
BLOCK	Width	Length	Thickness
BAR			
PLATE			

STEP DOWNS AND SPECIAL SHAPES (Please Include print or drawing)

FORGINGS ARE TO BE ROUGH MACHINED WITHIN ALLOWANCE TO FINISH.

SPECIAL INSTRUCTIONS/COMMENTS: _____

NAME _____ TITLE _____ DATE _____

COMPANY _____ TELEPHONE _____

ADDRESS _____

CITY _____ STATE _____ COUNTRY _____ ZIP/POSTAL _____

FAX # _____ INTERNET _____ E-MAIL _____